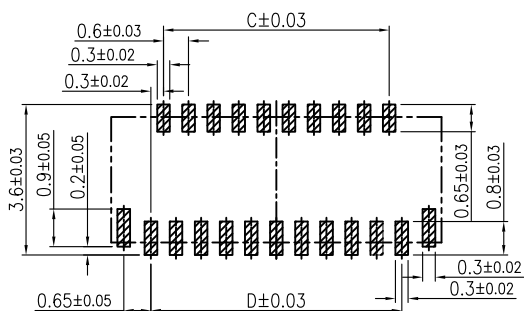
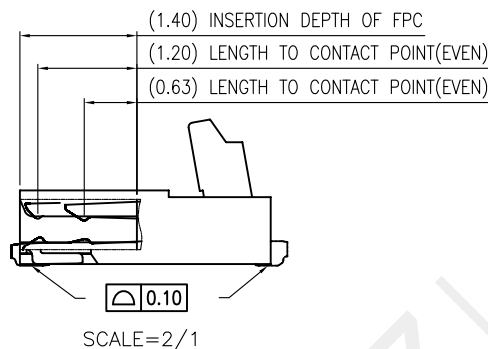
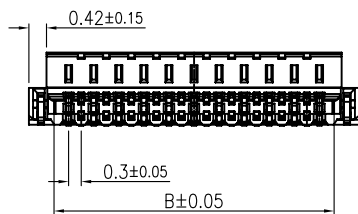
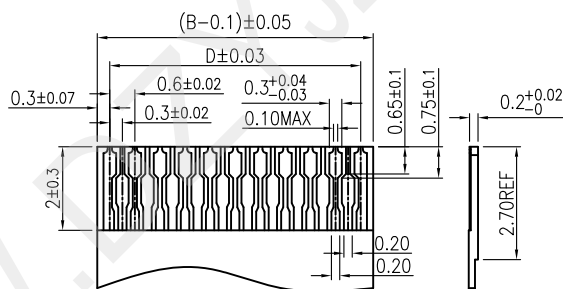


NO POSITIONS	A	B	C	D
9PIN	4.30	3.10	1.80	2.40
11PIN	4.90	3.70	2.40	3.00
13PIN	5.50	4.30	3.00	3.60
15PIN	6.10	4.90	3.60	4.20
17PIN	6.70	5.50	4.20	4.80
19PIN	7.30	6.10	4.80	5.40
21PIN	7.90	6.70	5.40	6.00
23PIN	8.50	7.30	6.00	6.60
25PIN	9.10	7.90	6.60	7.20
27PIN	9.70	8.50	7.20	7.80
29PIN	10.30	9.10	7.80	8.40
31PIN	10.90	9.70	8.40	9.00
33PIN	11.50	10.30	9.00	9.60
35PIN	12.10	10.90	9.60	10.20
39PIN	13.30	12.10	10.80	11.40
41PIN	13.90	12.70	11.40	12.00
45PIN	15.10	13.90	12.60	13.20
51PIN	16.90	15.70	14.40	15.00
55PIN	18.10	16.90	15.60	16.20
57PIN	18.70	17.50	16.20	16.80
61PIN	19.90	18.70	17.40	18.00
67PIN	21.70	20.50	19.20	19.80
71PIN	22.90	21.70	20.40	21.00



Recommended P.C.B Layout



Applicable FPC

NO.	COMPONENTS	MATERIALS	COLOR/SPECIFICATION	QUANTITY
1	HOUSING	LCP	BLACK UL94V-0	1 PCS
2	COVER	PA9T	BLACK UL94V-0	1 PCS
3	CONTACT	PHOSPHOR BRONZE	T=0.12mm PLATING	POSITIONS
4	CONTACT	PHOSPHOR BRONZE	T=0.12mm PLATING	POSITIONS
5	STATOR	BRASS	T=0.15mm PLATING	2 PCS

深圳市华宇创精密电子有限公司

TOLERANCE: X.X ±0.30 X.XX ±0.25 X.XXX ±0.15 X' ±2" X.X" ±0.5"	DRAWN BY : 陈一鸣	DATE : 2014-02-23	PART NAME: 0.3PH 1.0H 前插后压FPC
	CHECKED BY: 马跃	DATE : 2014-02-23	PART NO. HYC2D-03FPCXX-100
UNIT: mm [inch]	APPROVED BY: 邱敏	DATE : 2014-02-23	DRAW NO.: HYC-2604091116
SCALE:1:1 SIZE: A4			SHEET NO. 1 OF 1